

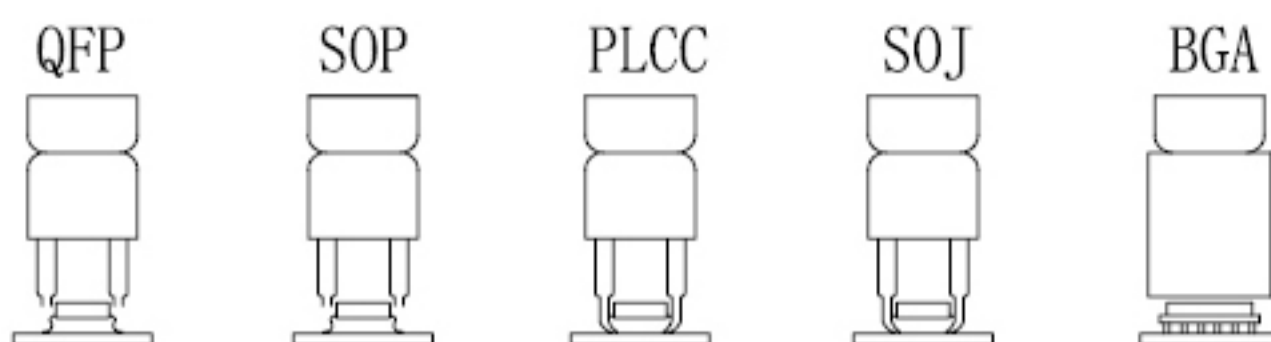
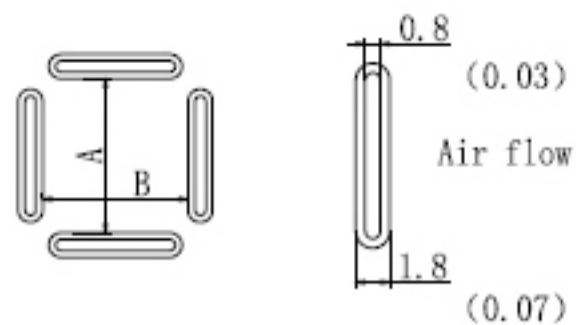
# NK NOZZLES(FOR 861D )

mm(inch)

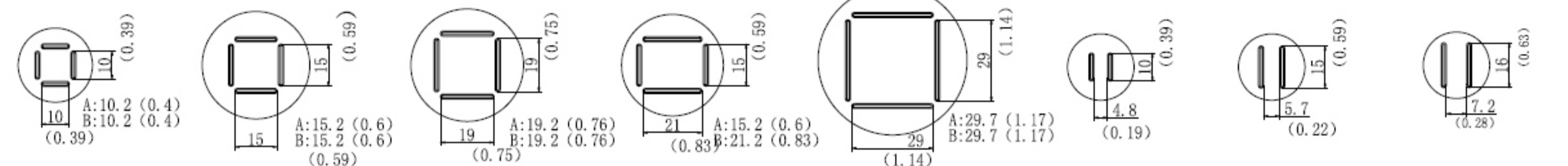
## NOZZLES

### NOTE

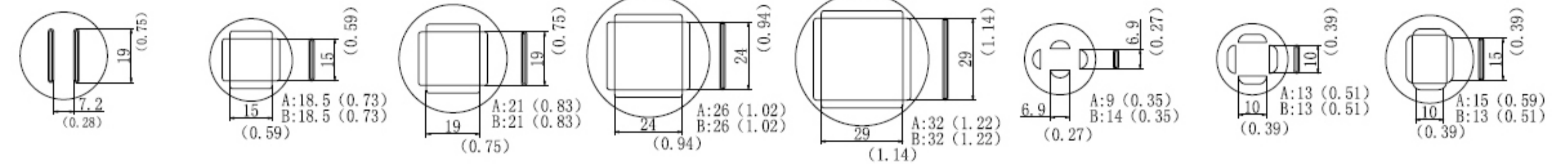
The size in Name/Specification indicates the size of IC package



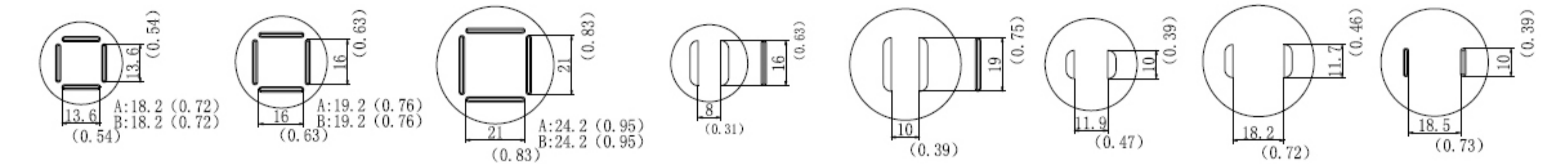
NK3125 QFP 10×10 (0.39×0.39)	NK3126 QFP 14×14 (0.55×0.55)	NK3127 QFP 17.5×17.5 (0.68×0.68)	NK3128 QFP 14×20 (0.55×0.78)	NK3129 QFP 28×28 (1.1×1.1)	NK3131 SOP 4.4 ×100.17×0.39)	NK3132 SOP 5.6 ×180.22×0.51)	NK3133 SOP 7.5 ×160.3×0.59)
---------------------------------	---------------------------------	-------------------------------------	---------------------------------	-------------------------------	---------------------------------	---------------------------------	--------------------------------



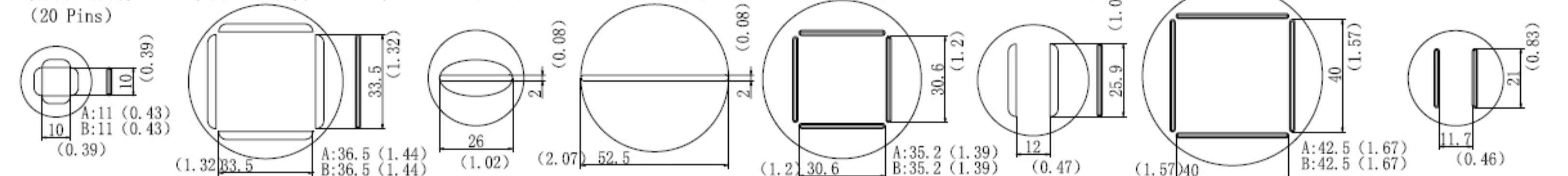
NK3134 SOP 7.5 ×180.3×0.7)	NK3135 PLCC 17.5×17.5 (0.68×0.68) (44 Pins)	NK3136 PLCC 20×20 (0.78×0.78) (52 Pins)	NK3137 PLCC 25×25 (0.98×0.98) (68 Pins)	NK3138 PLCC 30×30 (1.18×1.18) (84 Pins)	NK3139 PLCC 12.5×7.3 (0.49×0.29) (84 Pins)	NK3140 PLCC 11.5×11.5 (0.45×0.45) (28 Pins)	NK3141 PLCC 11.5×11.5 (0.45×0.55) (32 Pins)
-------------------------------	---	---	---	---	--	---	---



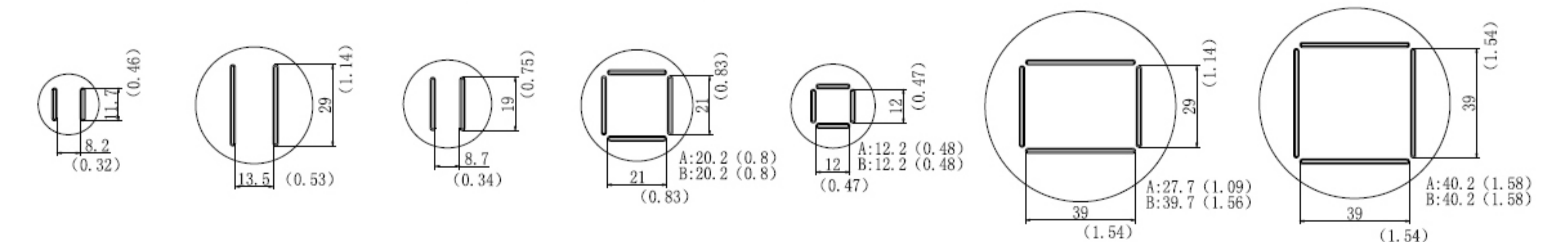
NK3180 BQFP 17×17 (0.67×0.67)	NK3181 BQFP 19×19 (0.75×0.75)	NK3182 BQFP 24×24 (0.94×0.94)	NK3183 SOJ 15×8 (0.59×0.31)	NK3184 SOJ 18×8 (0.71×0.31)	NK3185 TSOJ 13×10 (0.51×0.39)	NK3186 TSOJ 18×10 (0.71×0.39)	NK3187 TSOJ 18.5×8 (0.73×0.31)
----------------------------------	----------------------------------	----------------------------------	--------------------------------	--------------------------------	----------------------------------	----------------------------------	-----------------------------------



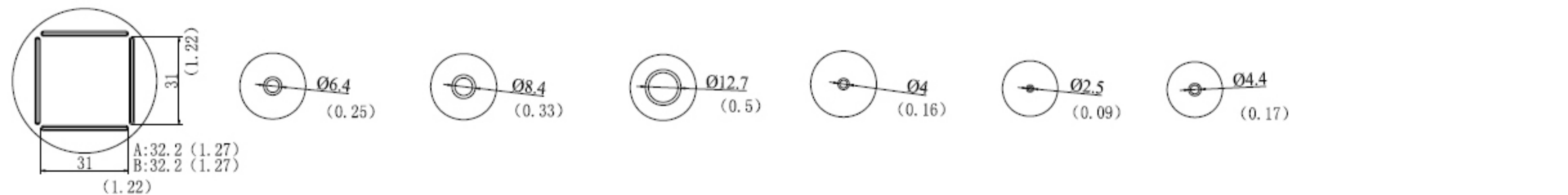
NK3188 PLCC 9×9 (0.35×0.35) (20 Pins)	NK3189 PLCC 34×34 (1.34×1.34)(100 Pins)	NK3191 SIP 25L (0.98)	NK3192 SIP 50L (1.97)	NK3203 QFP 35×35 (1.38×1.38)	NK3214 SOJ 10×26 (0.39×1.02)	NK3215 QFP 42.5×42.5 (1.67×1.67)	NK3257 SOP 11×21 (0.43×0.83)
---	--	--------------------------	--------------------------	---------------------------------	---------------------------------	-------------------------------------	---------------------------------



NK3258 SOP 7.6×12.7 (0.3×0.5)	NK3259 SOP 13×28 (0.51×1.1)	NK3260 SOP 8.6×18 (0.34×0.71)	NK3261 QFP 20×20 (0.78×0.78)	NK3262 QFP 12×12 (0.47×0.47)	NK3263 QFP 28×40 (1.1×1.57)	NK3264 QFP 40×40 (1.57×1.57)
----------------------------------	--------------------------------	----------------------------------	---------------------------------	---------------------------------	--------------------------------	---------------------------------



NK3265 QFP 32×32 (1.26×1.26)	NK2064 Single ø6.4 (0.25)	NK2084 Single ø8.4 (0.33)	NK2127 Single ø12.7 (0.5)	NK1120 Single ø4 (0.16)	NK1124 Single ø2.5 (0.09)	NK1130 Single ø4.4 (0.17)
---------------------------------	------------------------------	------------------------------	------------------------------	----------------------------	------------------------------	------------------------------



NK2280 BGA 24×24 (0.94×0.94)	NK2281 BGA 26×26 (1.02×1.02)	NK2282 BGA 31×31 (1.22×1.22)	NK2283 BGA 38×38 (1.5×1.5)	NK2284 BGA 41×41 (1.6×1.6)	NK2285 BGA 44×44 (1.7×1.7)	NK2286 BGA 15×15 (0.6×0.6)
---------------------------------	---------------------------------	---------------------------------	-------------------------------	-------------------------------	-------------------------------	-------------------------------

